

Wedge Flowmeter

Model : SWF

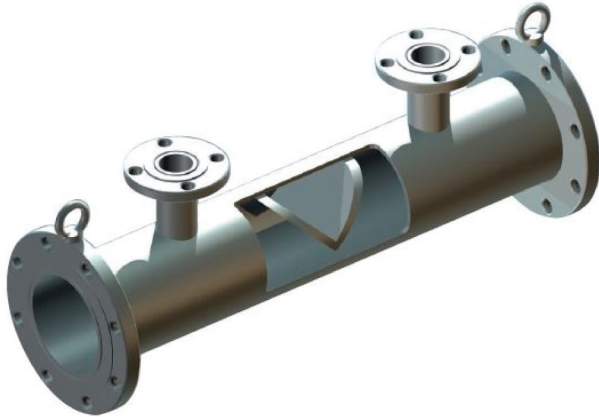


SeoJin Instech Co., Ltd.

www.seojin.biz

SWF

Wedge Flowmeter



Introduction

Wedge flowmeter is designed to be applied to almost any flow condition. Wedge provides a simple, practical solution to both standard and severe service requirements.

The fluid is diverted downward in similar fashion to a segmental orifice but along a sloping wedge shape as opposed to a sharp edge.

Pressure taps are located approximately one diameter upstream and downstream.

This geometry and use of remote seals make these meters suitable for air-entrained liquids, slurry flow, water-laden gases and in general any difficult-to-meter fluid. Specially it is suitable to measure quantity of flow for fluid with high viscosity.

Specification

STANDARD ACCURACY

±0.5% of actual flowrate (After Calibration)
+/-3% of actual flowrate (Before Calibration)

REPEATABILITY

+/- 0.2%

STANDARD BETA RATIOS

0.2~0.7

INSTALLATION PIPING REQUIREMENTS

Front 6~10D / Rear 3D

FLANGE RATING

JIS 10K, 20K, 30K etc.
ANSI(or JPI) 150, 300, 600 etc.

MATERIALS OF CONSTRUCTION INCLUDED

Standard: 304LSS, 316LSS, Carbon Steel
Special materials on request

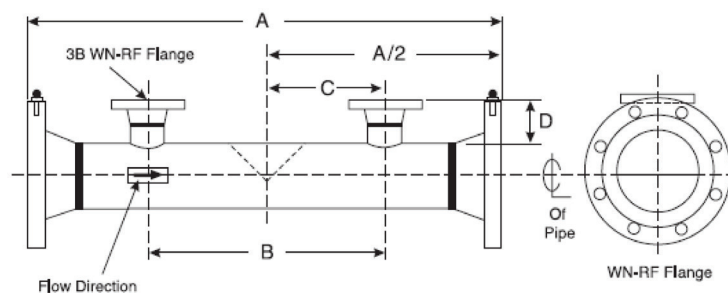
LINE SIZES AVAILABLE

25A ~ 600A

END FITTINGS

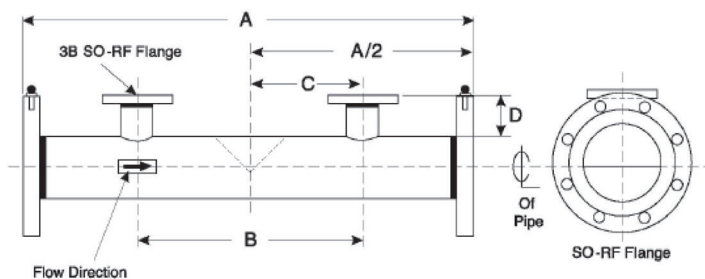
Flanged, threaded, or weld-end standard
Others on request

Model Type



► WN-RF TYPE

Pipe Size	A Dim(mm) Flange Rating			B Dim (mm)	C Dim (mm)	D Dim(mm) Flange Rating		
	150	300	600			150	300	600
40 A	530	543	559	292	146	208	214	213
50 A	546	559	578	292	146	216	222	232
80 A	622	641	660	311	156	156	167	175
100 A	902	921	965	381	191	114	125	133
125 A	965	972	1005	419	210	114	125	133
150 A	1029	1048	1099	457	229	114	125	133
200 A	1092	1111	1168	521	260	114	125	133
250 A	1143	1175	1257	597	298	114	125	133
300 A	1321	1353	1416	673	337	114	125	133
350 A	1397	1429	1486	711	356	114	125	133
400 A	1473	1511	1588	775	387	114	125	133
450 A	1575	1613	1676	851	425	114	125	133
500 A	1686	1721	1791	940	470	114	125	133
600 A	1854	1886	1969	1067	533	114	125	133



Pipe Size	A Dim(mm) Flange Rating			D Dim(mm) Flange Rating		
	150	300	600	150	300	600
025 A	495	272	136	208	214	214
040 A	529	292	146	208	214	214
050 A	546	292	146	216	222	232
065 A	580	300	150	216	222	232
080 A	622	311	156	156	167	175
100 A	762	381	191	114	125	133
125 A	813	419	210	114	125	133
150 A	864	457	229	114	125	133
200 A	914	521	260	114	125	133
250 A	965	597	298	114	125	133
300 A	1118	673	337	114	125	133
350 A	1168	711	356	114	125	133
400 A	1245	775	387	114	125	133
450 A	1321	851	425	114	125	133
500 A	1422	940	470	114	125	133
600 A	1575	1067	533	114	125	133

Ordering Information

WEDGE FLOWMETER

SWF A 1 A 1 A 1 A

OPTION

A = Other
B = None

D/P MATERIAL

1 = Carbon Steel
2 = 304LSS
3 = 316LSS
4 = etc.

BODY MATERIAL

A = Carbon Steel
B = 304LSS
C = 316LSS
D = etc.

FLANGE MATERIAL

1 = JIS 10K
2 = JIS 20K
3 = JIS 30K
4 = ANSI #150
5 = ANSI #300
6 = ANSI #600
7 = ANSI #900
8 = etc.

BODY MATERIAL

A = Carbon Steel
B = 304LSS
C = 316LSS
D = etc.

LINE SIZE

1 = 15A (1/2")
2 = 20A (3/4")
3 = 25A (1")
4 = 40A (1-1/2")
5 = 50A (2")
6 = 65A (2-1/2")
7 = 80A (3")
8 = 100A (4")
9 = 125A (5")
10 = 150A (6")
11 = 200A (8")
12 = etc.

TYPE

A = Welding-Neck Flange End
B = Slip-On Flange End
C = Butt Weld End

■ When placing an order, selected ordering number should be indicated on the purchase order sheet.



14, Dunchon-daero 457beon-gil, Junwon-gu
Seongnam-si, Gyeonggi-do, Korea[Zip.13218]

☎ +82-31-627-9000 📠 +82-31-624-5345

<http://www.seojin.biz>

2019 Edition Rev.0 (printed by Daoom)

■ Specifications subject to change without notice