

Model SLA

Air Purge Type Level Transmitter



Air Purge Type Level Transmitter

The model provides a most effective operation when used for corrosive liquids, liquids containing floating material, and high viscosity.

Features

- Can be used with highly viscous liquids
- 4 ~ 20mA output
- On-site or remote displays
- Easy maintenance
- No moving parts

Description

The air bubble system level measurement is simple and proven level measurement for dirty/waste water treatment. The bubble tube is the only component in contact with the liquid.

The SLA has features as follows:

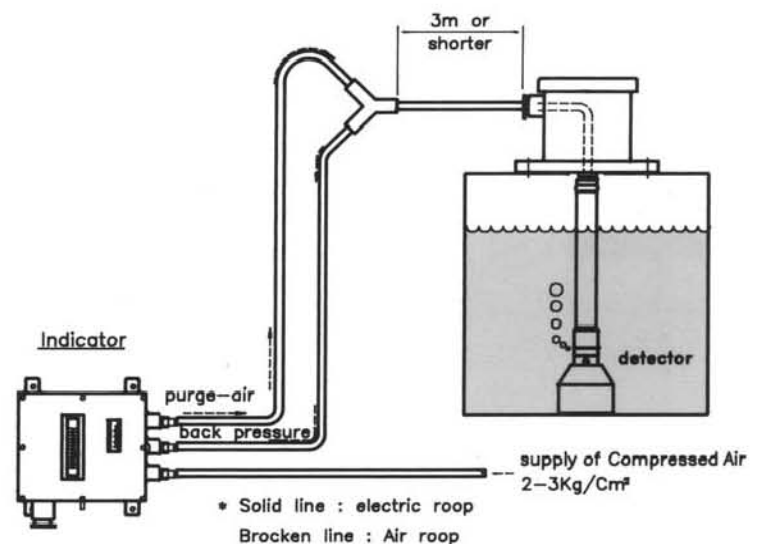
- Control unit consists of pressure elements, needle valve, V/I converter and indicator.
- Even if sludge or suspended solids is clogged in the bubble tube, it can be blown out by operating the by-pass valve.
- There are two kinds of bubble tube. One is an easy installation flexible PVC hose and another is 304SS tube which can be used in high temperature.

The SLA is optimum for measuring drainage, night soil, or sewage water with a lot of suspended solids and high viscosity.

How They Work

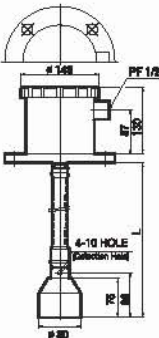
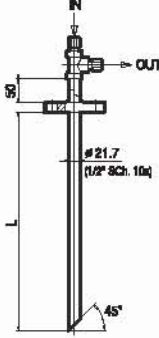
Bubble a small flow of air from a submerged dip-tube and then measure the resulting air back-pressure, which can be converted into an analog output, 4~20mA DC. The field indicator is provided by the control unit.

Configuration

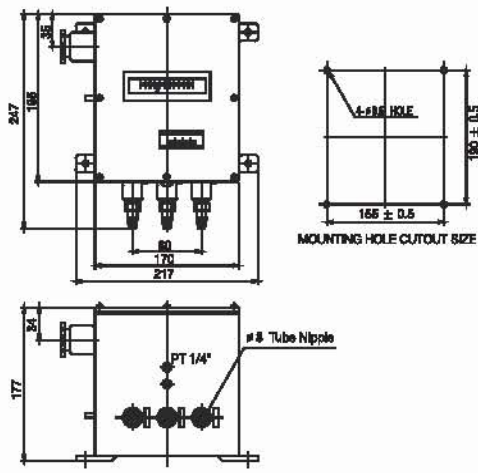


Specifications

■ BUBBLE TUBE

Description		Type	SLA-100	SLA-110
Tube Type			Flexible	Pipe
Mounting			JIS 10K 100A	JIS 5K 25A
Material	Flange		PVC	304SS
	Detector		PVC Tube	304SS Pipe
	Anchor Weight		304SS	304SS
Overall Dimension				

■ CONTROL UNIT

Description		Type	SLA1000 for 4 - wire	Overall Dimension
Model			SLA1000 for 4 - wire	
Measuring Range			0 to 10M	
Accuracy			±0.5% of span for SLA1000	
Temp. Characteristics			0.05% of span	
Power Supply			24V ±2V DC for SLA1000	
Power Consumption			Approx. 1W	
Output Signal			4 ~ 20mA DC	
Load Resistance			800 Ω Max. for SLA1000	
Amplification			1 to 5 times	
Working Temperature			0 $^{\circ}$ C to 50 $^{\circ}$ C	
Material	Casing		C.S plate for SLA1000	
	Hose Nipple		Brass	
Power Pressure Supply			195 to 295kPa	
Air Source to Sensor			0.3 to 1 l / minute variable	
Overpressure			295kPa	
Mounting			Wall mounting or Pole mounting	
Construction			IP23 (1P54 is optionally available)	
Weight			Approx. 5.5kg for SLA1000	

■ 2-Wire is optionally available

■ AIR PURGE TYPE ASS'Y

SLA	100	A
-----	-----	---

MOUNTING SIZE

A = JIS 5K 100A (Std.)
B = JIS 10K 100A
C = etc.

BUBBLE TUBE TYPE

100 = PVC Flexible type. Length 4m (Std.)
110 = SUS 304 Stand pipe type. Length 10m

■ AIR SUPPLY UNIT & LOCAL INDICATOR ASS'Y

SLA-1000

■ When placing an order, selected ordering number should be indicated on the purchase order sheet.

